

# SPARE PARTS EXPLODED VIEW GAS WALL BOILERS

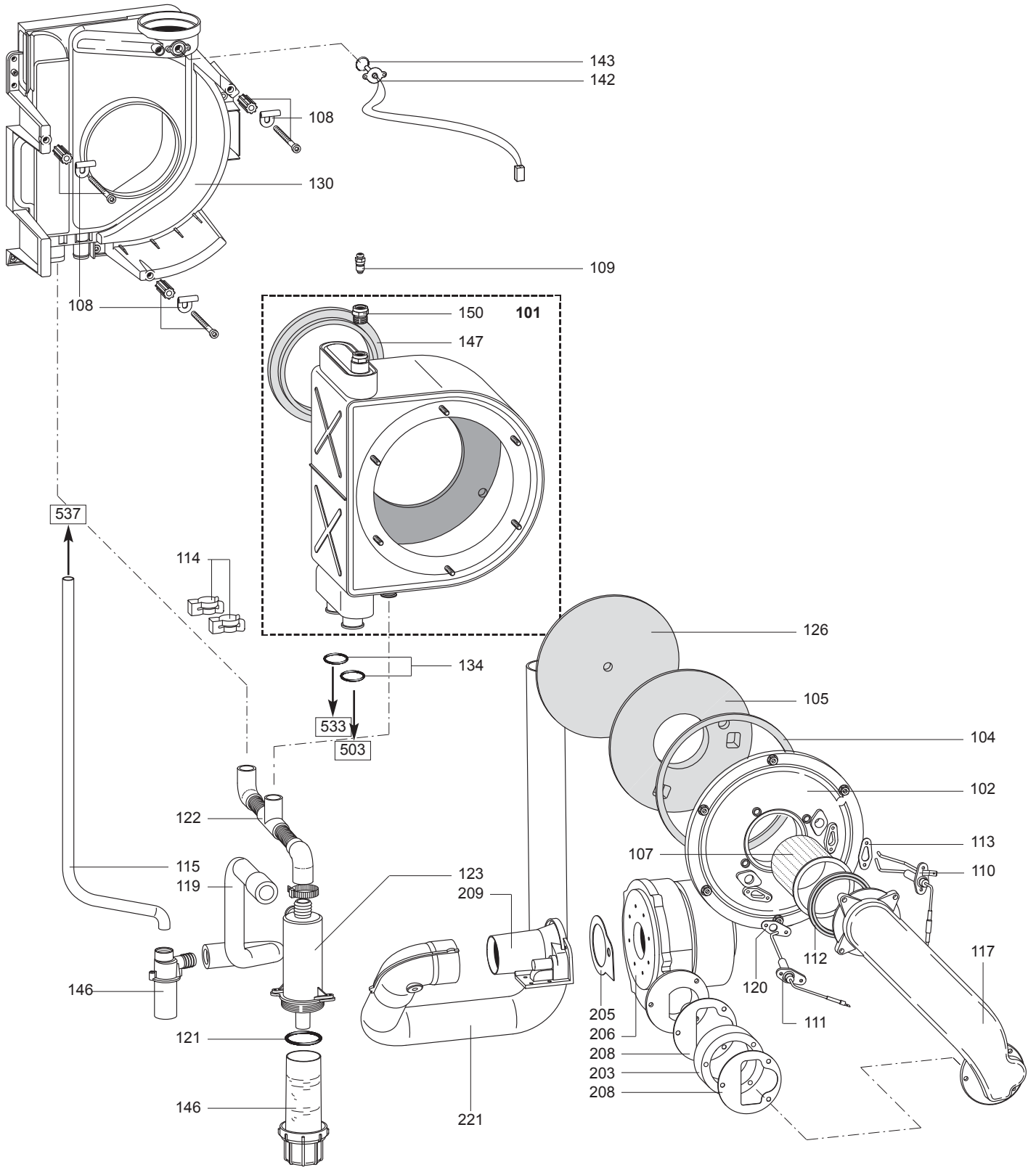
Model

## **PHOENIX GREEN**

R8215256-08 - 27/04/2012

|           |           |           |           |           |
|-----------|-----------|-----------|-----------|-----------|
| <b>EN</b> | <b>FR</b> | <b>IT</b> | <b>ES</b> | <b>DE</b> |
|-----------|-----------|-----------|-----------|-----------|

|     |           |                                   |         |     |
|-----|-----------|-----------------------------------|---------|-----|
| 1   | 3310000   | PHOENIX GREEN 27 (FR, BE, IT) MET | 06-2009 | -   |
| 2   | 3310001   | PHOENIX GREEN 35 (FR, BE, IT) MET | 07-2009 | -   |
| 3   | 3310002   | PHOENIX GREEN 40 (FR, BE, IT) MET | 07-2009 | -   |
| Col | Reference | Model type                        | Begin   | End |



PHOENIX GREEN 27  
 PHOENIX GREEN 35  
 PHOENIX GREEN 40

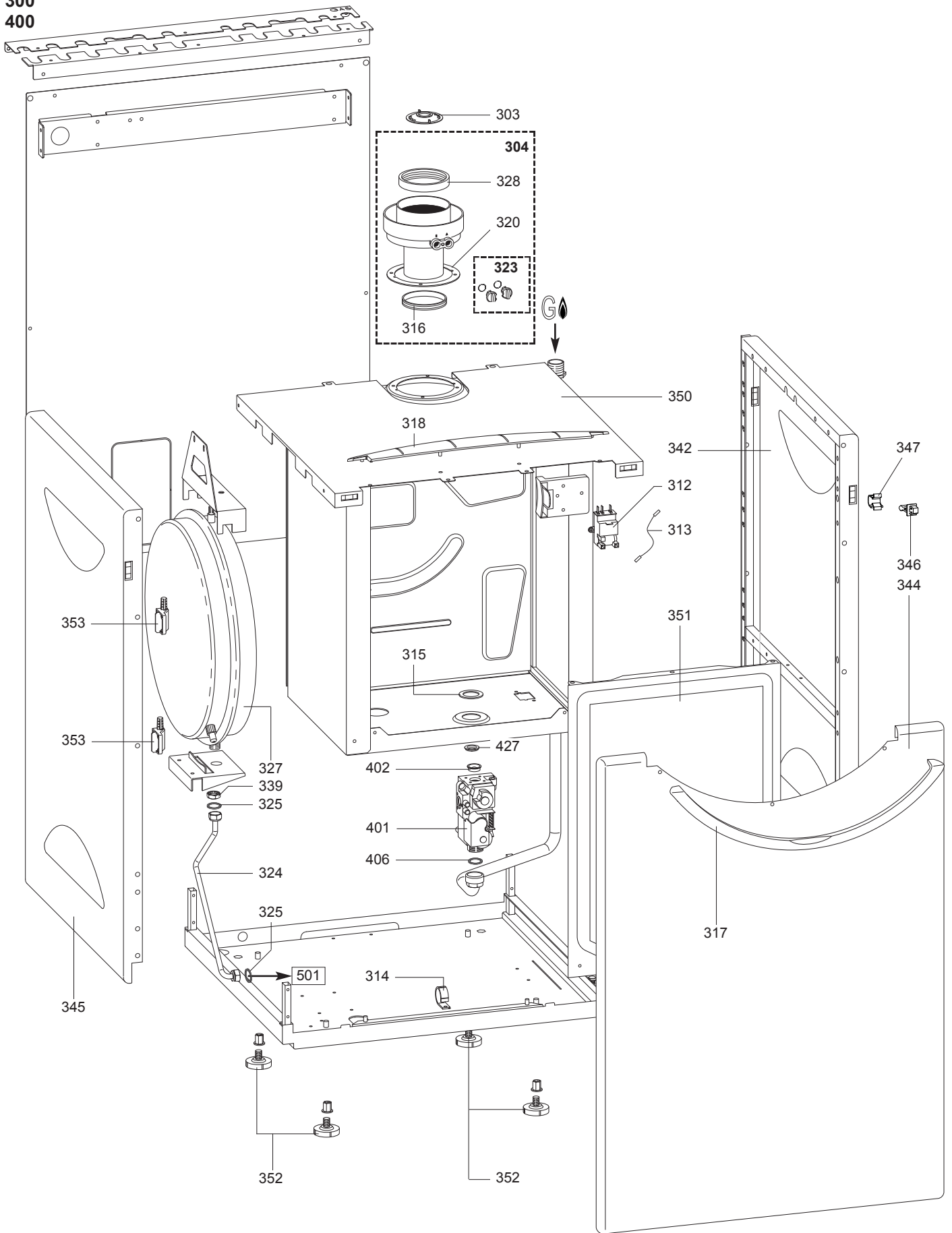
31

| ☉           | Description                          | Manf. Pt. N | Type |   |   |   |   |   |   |   |   |   |    |    |    |    |    |    |    |    |    |
|-------------|--------------------------------------|-------------|------|---|---|---|---|---|---|---|---|---|----|----|----|----|----|----|----|----|----|
|             |                                      |             |      | 1 | 2 | 3 | 4 | 5 | 6 | 7 | 8 | 9 | 10 | 11 | 12 | 13 | 14 | 15 | 16 | 17 | 18 |
| <b>0100</b> | <b>SEALED CASE</b>                   |             |      |   |   |   |   |   |   |   |   |   |    |    |    |    |    |    |    |    |    |
| 0101        | EXCHANGER 30 KW                      | 65109219    |      | • |   |   |   |   |   |   |   |   |    |    |    |    |    |    |    |    |    |
|             | EXCHANGER                            | 65109672    |      |   |   | • |   |   |   |   |   |   |    |    |    |    |    |    |    |    |    |
|             | EXCHANGER                            | 65109673    |      |   |   | • |   |   |   |   |   |   |    |    |    |    |    |    |    |    |    |
| 0102        | PANEL (EXCHANGER - FRONT)            | 65103376    |      | • | • | • |   |   |   |   |   |   |    |    |    |    |    |    |    |    |    |
| 0104        | DOOR GASKET                          | 60000672-01 |      | • | • | • |   |   |   |   |   |   |    |    |    |    |    |    |    |    |    |
| 0105        | PANEL (INSULATION - FRONT)           | 65103360    |      | • | • | • |   |   |   |   |   |   |    |    |    |    |    |    |    |    |    |
| 0107        | BURNER                               | 65103333    |      |   |   | • | • |   |   |   |   |   |    |    |    |    |    |    |    |    |    |
|             | BURNER                               | 65103334    |      | • |   |   |   |   |   |   |   |   |    |    |    |    |    |    |    |    |    |
| 0108        | FIXING KIT                           | 65103355    |      | • |   |   |   |   |   |   |   |   |    |    |    |    |    |    |    |    |    |
|             | FIXING KIT                           | 65103356    |      |   |   | • |   |   |   |   |   |   |    |    |    |    |    |    |    |    |    |
|             | FIXING KIT                           | 65103357    |      |   |   |   |   | • |   |   |   |   |    |    |    |    |    |    |    |    |    |
| 0109        | AIR VALVE FITTING                    | 998564      |      | • | • | • |   |   |   |   |   |   |    |    |    |    |    |    |    |    |    |
| 0110        | ELECTRODE (IGNITION)                 | 65103358    |      | • | • | • |   |   |   |   |   |   |    |    |    |    |    |    |    |    |    |
| 0111        | IONIZATION ELECTRODE                 | 61317433    |      | • | • | • |   |   |   |   |   |   |    |    |    |    |    |    |    |    |    |
| 0112        | GASKET D:85-66.5-2.5                 | 61314753    |      | • | • | • |   |   |   |   |   |   |    |    |    |    |    |    |    |    |    |
| 0113        | GASKET (ELECTRODE)                   | 65103367    |      | • | • | • |   |   |   |   |   |   |    |    |    |    |    |    |    |    |    |
| 0114        | CLIP                                 | 61307589    |      | • | • | • |   |   |   |   |   |   |    |    |    |    |    |    |    |    |    |
| 0115        | HOSE (EXPANSION RELIEF TO DISCHARGE) | 572974      |      | • | • | • |   |   |   |   |   |   |    |    |    |    |    |    |    |    |    |
| 0117        | DUCT FIRST SECTION                   | 61315368    |      |   |   | • | • |   |   |   |   |   |    |    |    |    |    |    |    |    |    |
|             | GAS PIPE                             | 65103349    |      | • |   |   |   |   |   |   |   |   |    |    |    |    |    |    |    |    |    |
| 0119        | DISCHARGE PIPE (CONDENSATE)          | 65103411    |      | • | • | • |   |   |   |   |   |   |    |    |    |    |    |    |    |    |    |
| 0120        | GASKET (ELECTRODE)                   | 65103476    |      | • | • | • |   |   |   |   |   |   |    |    |    |    |    |    |    |    |    |
| 0121        | O-RING (3175 EPDM D=44.9)            | 990695      |      | • | • | • |   |   |   |   |   |   |    |    |    |    |    |    |    |    |    |
| 0122        | UNION (CONDENSE DRAIN)               | 65103382    |      | • | • | • |   |   |   |   |   |   |    |    |    |    |    |    |    |    |    |
| 0123        | CONDENSATE TRAP (UPPER)              | 65103381    |      | • | • | • |   |   |   |   |   |   |    |    |    |    |    |    |    |    |    |
| 0124        | FUME HOUSING                         | 65103485    |      | • | • | • |   |   |   |   |   |   |    |    |    |    |    |    |    |    |    |
| 0126        | PANEL (INSULATION - REAR)            | 65103361    |      | • | • | • |   |   |   |   |   |   |    |    |    |    |    |    |    |    |    |
| 0130        | EXCHANGER SUPPORT                    | 65103390    |      | • | • | • |   |   |   |   |   |   |    |    |    |    |    |    |    |    |    |
| 0134        | O-RING D: 17.86-2.62                 | 61308091    |      | • | • | • |   |   |   |   |   |   |    |    |    |    |    |    |    |    |    |
| 0142        | PROBE                                | 65103478    |      | • | • | • |   |   |   |   |   |   |    |    |    |    |    |    |    |    |    |
| 0143        | O-RING                               | 65102580    |      | • | • | • |   |   |   |   |   |   |    |    |    |    |    |    |    |    |    |
| 0146        | CONDENSATE TRAP (LOWER)              | 65103378    |      | • | • | • |   |   |   |   |   |   |    |    |    |    |    |    |    |    |    |
| 0147        | GASKET D:129.4                       | 61306030    |      | • | • | • |   |   |   |   |   |   |    |    |    |    |    |    |    |    |    |
| 0150        | UNION (AIR RELEASE VALVE)            | 65103477    |      | • | • | • |   |   |   |   |   |   |    |    |    |    |    |    |    |    |    |
| <b>0200</b> | <b>FAN ASSEMBLY</b>                  |             |      |   |   |   |   |   |   |   |   |   |    |    |    |    |    |    |    |    |    |
| 0205        | GASKET                               | 61307587    |      | • | • | • |   |   |   |   |   |   |    |    |    |    |    |    |    |    |    |
| 0206        | FAN                                  | 65103414    |      | • | • | • |   |   |   |   |   |   |    |    |    |    |    |    |    |    |    |
| 0208        | GASKET                               | 61306072    |      | • | • | • |   |   |   |   |   |   |    |    |    |    |    |    |    |    |    |
| 0209        | MIXER                                | 65103371    |      | • |   |   |   |   |   |   |   |   |    |    |    |    |    |    |    |    |    |
|             | MIXER                                | 65103372    |      |   |   | • |   |   |   |   |   |   |    |    |    |    |    |    |    |    |    |
|             | MIXER                                | 65103373    |      |   |   |   |   | • |   |   |   |   |    |    |    |    |    |    |    |    |    |
| 0221        | SILENCER                             | 65103332    |      | • | • | • |   |   |   |   |   |   |    |    |    |    |    |    |    |    |    |

300  
400

PHOENIX GREEN

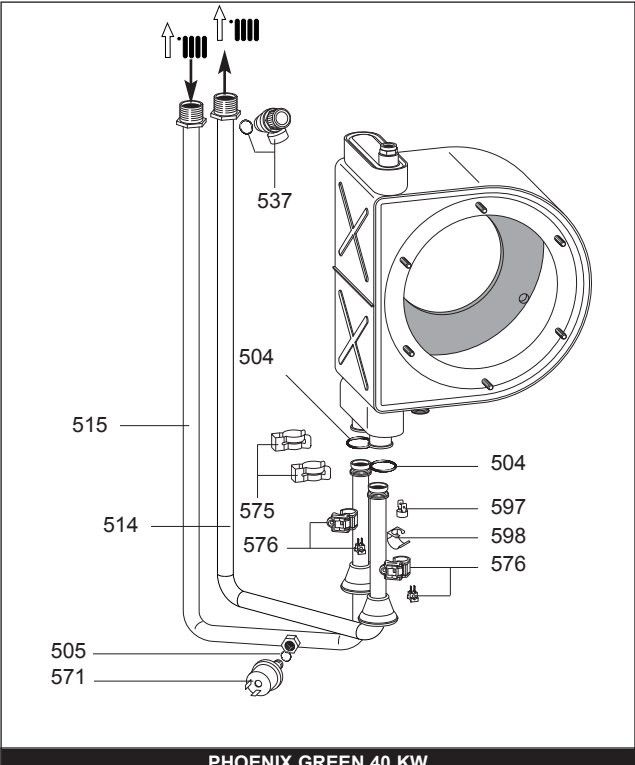
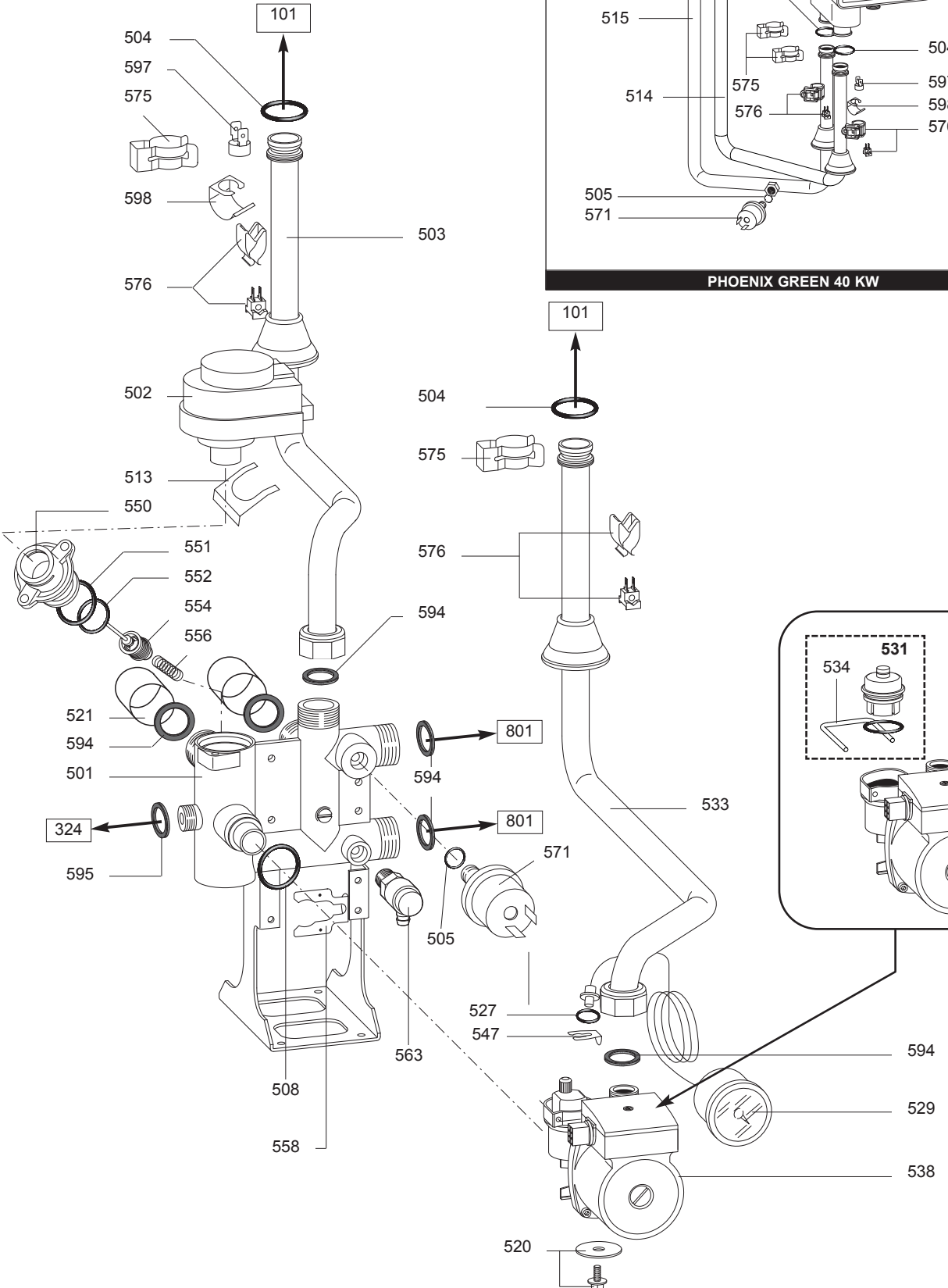
Domestic Gas Boilers



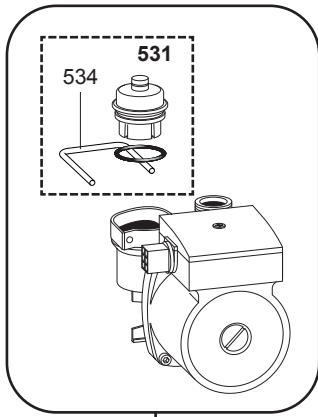
PHOENIX GREEN 27  
 PHOENIX GREEN 35  
 PHOENIX GREEN 40

31

| Description                           | Manf. Pt. N | Type |   |   |   |   |   |   |   |   |   |    |    |    |    |    |    |    |    |    |
|---------------------------------------|-------------|------|---|---|---|---|---|---|---|---|---|----|----|----|----|----|----|----|----|----|
|                                       |             |      | 1 | 2 | 3 | 4 | 5 | 6 | 7 | 8 | 9 | 10 | 11 | 12 | 13 | 14 | 15 | 16 | 17 | 18 |
| <b>0300 CHASSIS-FRONT CASE</b>        |             |      |   |   |   |   |   |   |   |   |   |    |    |    |    |    |    |    |    |    |
| 0303 DIAPHRAGM D=33                   | 65104103    | LG   |   | • | • |   |   |   |   |   |   |    |    |    |    |    |    |    |    |    |
| DIAPHRAGM D=24                        | 65104104    | LG   | • |   |   |   |   |   |   |   |   |    |    |    |    |    |    |    |    |    |
| DIAPHRAGM D=40                        | 65103353    | NG   | • | • | • |   |   |   |   |   |   |    |    |    |    |    |    |    |    |    |
| 0304 FLUE (EXHAUST MANIFOLD / HEADER) | 65103348    |      | • | • | • |   |   |   |   |   |   |    |    |    |    |    |    |    |    |    |
| 0312 SPARK GENERATOR                  | 65103331    |      | • | • | • |   |   |   |   |   |   |    |    |    |    |    |    |    |    |    |
| 0313 EARTH CABLE (SPARK GENERATOR)    | 65103345    |      | • | • | • |   |   |   |   |   |   |    |    |    |    |    |    |    |    |    |
| 0314 CABLE HOLDER                     | 65103374    |      | • | • | • |   |   |   |   |   |   |    |    |    |    |    |    |    |    |    |
| 0315 GASKET                           | 65103368    |      | • | • | • |   |   |   |   |   |   |    |    |    |    |    |    |    |    |    |
| 0316 GASKET D:66.6                    | 61306029    |      | • | • | • |   |   |   |   |   |   |    |    |    |    |    |    |    |    |    |
| 0317 INSERT CASE                      | 65103489    |      | • | • | • |   |   |   |   |   |   |    |    |    |    |    |    |    |    |    |
| 0318 INSERT CASE (TOP)                | 65103490    |      | • | • | • |   |   |   |   |   |   |    |    |    |    |    |    |    |    |    |
| 0320 MANIFOLD GASKET                  | 65103365    |      | • | • | • |   |   |   |   |   |   |    |    |    |    |    |    |    |    |    |
| 0323 PLUG KIT WITH GASKET             | 65103391    |      | • | • | • |   |   |   |   |   |   |    |    |    |    |    |    |    |    |    |
| 0324 PIPE (EXPANSION VESSEL)          | 65103406    |      | • | • |   |   |   |   |   |   |   |    |    |    |    |    |    |    |    |    |
| 0325 GASKET 3/8                       | 573521      |      | • | • |   |   |   |   |   |   |   |    |    |    |    |    |    |    |    |    |
| 0327 EXPANSION VESSEL                 | 65103443    |      | • | • |   |   |   |   |   |   |   |    |    |    |    |    |    |    |    |    |
| 0328 MANIFOLD GASKET                  | 65103366    |      | • | • | • |   |   |   |   |   |   |    |    |    |    |    |    |    |    |    |
| 0339 3/8 LOCK NUT                     | 998581      |      | • | • |   |   |   |   |   |   |   |    |    |    |    |    |    |    |    |    |
| 0342 CASE PANEL (R.H. SIDE)           | 65103483    |      | • | • | • |   |   |   |   |   |   |    |    |    |    |    |    |    |    |    |
| 0344 CASE PANEL (FRONT)               | 65103419    |      | • | • | • |   |   |   |   |   |   |    |    |    |    |    |    |    |    |    |
| 0345 CASE PANEL (L.H. SIDE)           | 65103484    |      | • | • | • |   |   |   |   |   |   |    |    |    |    |    |    |    |    |    |
| 0346 FAST ATTACHMENT MALE SHUT OFF    | 574249      |      | • | • | • |   |   |   |   |   |   |    |    |    |    |    |    |    |    |    |
| 0347 FAST ATTACHMENT FEMALE SHUT OFF  | 574250      |      | • | • | • |   |   |   |   |   |   |    |    |    |    |    |    |    |    |    |
| 0350 CASE PANEL (UPPER)               | 65103442    |      | • | • | • |   |   |   |   |   |   |    |    |    |    |    |    |    |    |    |
| 0351 PANEL (FRONT - SEALED CHAMBER)   | 990674      |      | • | • | • |   |   |   |   |   |   |    |    |    |    |    |    |    |    |    |
| 0352 FOOT (SUPPORT)                   | 572890      |      | • | • | • |   |   |   |   |   |   |    |    |    |    |    |    |    |    |    |
| 0353 HINGE                            | 65103347    |      | • | • | • |   |   |   |   |   |   |    |    |    |    |    |    |    |    |    |
| <b>0400 GAS SECTION</b>               |             |      |   |   |   |   |   |   |   |   |   |    |    |    |    |    |    |    |    |    |
| 0401 GAS VALVE                        | 65103413    |      | • | • | • |   |   |   |   |   |   |    |    |    |    |    |    |    |    |    |
| 0402 DIAPHRAGM D=4.6                  | 65104101    | LG   | • | • |   |   |   |   |   |   |   |    |    |    |    |    |    |    |    |    |
| VALVE GAS DIAPHRAGM D=5.5             | 65104102    | LG   |   |   | • |   |   |   |   |   |   |    |    |    |    |    |    |    |    |    |
| 0406 GASKET 3/4                       | 573520      |      | • | • | • |   |   |   |   |   |   |    |    |    |    |    |    |    |    |    |
| 0418 GAS PIPE                         | 65103397    |      | • | • | • |   |   |   |   |   |   |    |    |    |    |    |    |    |    |    |
| 0427 GAS VALVE GASKET                 | 65103364    |      | • | • | • |   |   |   |   |   |   |    |    |    |    |    |    |    |    |    |



PHOENIX GREEN 40 KW



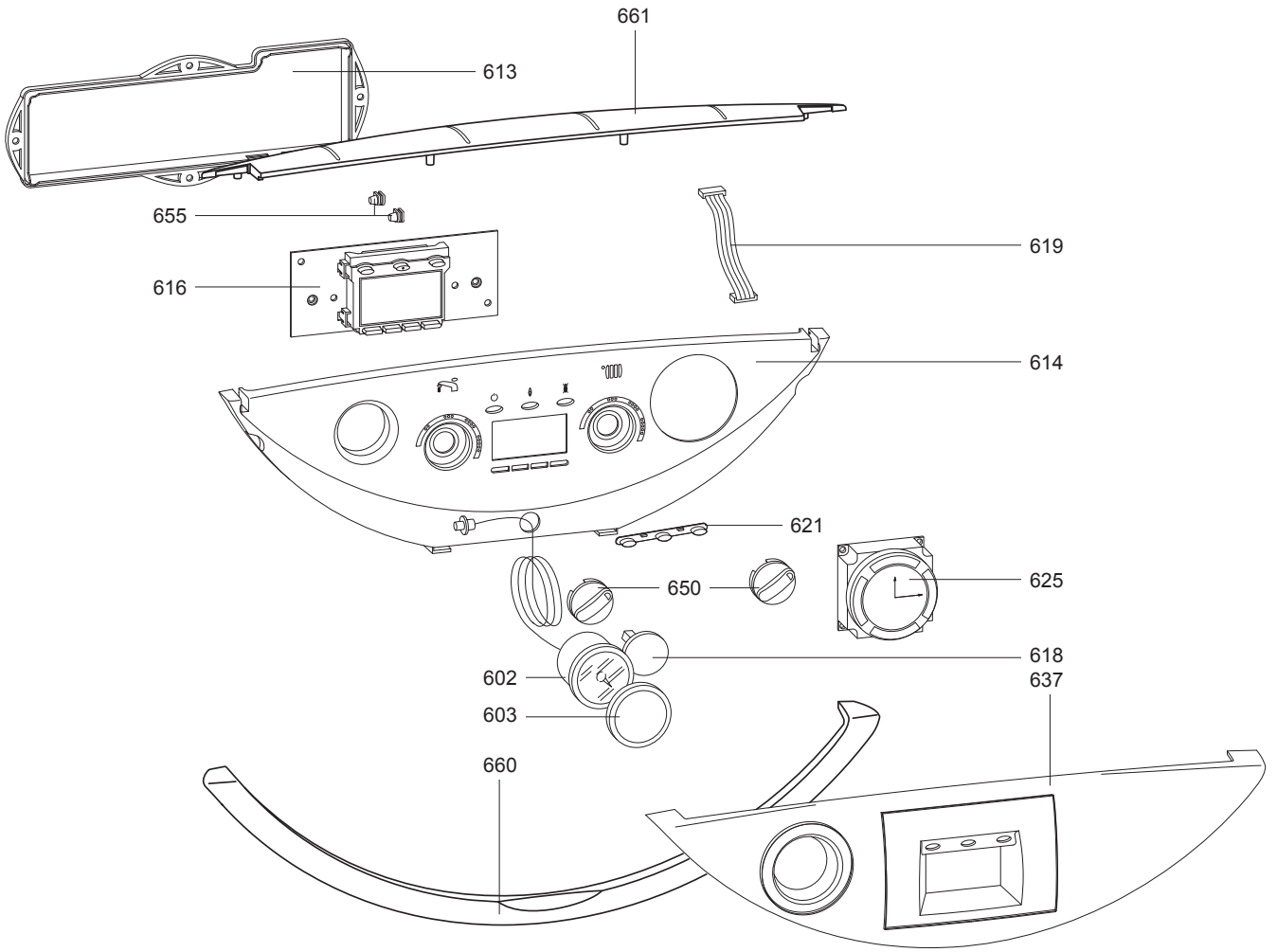
PHOENIX GREEN 27  
 PHOENIX GREEN 35  
 PHOENIX GREEN 40

31

| ☉⇒   | Description               | Manf. Pt. N | Type |   |   |   |   |   |   |   |   |   |    |    |    |    |    |    |       |    |    |
|------|---------------------------|-------------|------|---|---|---|---|---|---|---|---|---|----|----|----|----|----|----|-------|----|----|
|      |                           |             |      | 1 | 2 | 3 | 4 | 5 | 6 | 7 | 8 | 9 | 10 | 11 | 12 | 13 | 14 | 15 | 16    | 17 | 18 |
| 0500 | <b>WATER SECTION ASSY</b> |             |      |   |   |   |   |   |   |   |   |   |    |    |    |    |    |    |       |    |    |
| 0501 | MANIFOLD (C.H. RETURN)    | 65103351    |      | • | • |   |   |   |   |   |   |   |    |    |    |    |    |    |       |    |    |
| 0502 | MOTOR (3-WAY VALVE)       | 997147      |      | • | • |   |   |   |   |   |   |   |    |    |    |    |    |    |       |    |    |
| 0503 | PIPE (C.H. FLOW)          | 65103400    |      | • |   |   |   |   |   |   |   |   |    |    |    |    |    |    | 11/06 |    |    |
|      | PIPE (C.H. FLOW)          | 65103403    |      |   | • |   |   |   |   |   |   |   |    |    |    |    |    |    | 11/06 |    |    |
|      | PIPE (C.H. FLOW)          | 65105492    |      | • |   |   |   |   |   |   |   |   |    |    |    |    |    |    | 12/06 |    |    |
|      | PIPE (C.H. FLOW)          | 65105493    |      |   | • |   |   |   |   |   |   |   |    |    |    |    |    |    | 12/06 |    |    |
| 0504 | O-RING D: 17.86-2.62      | 61308091    |      | • | • | • |   |   |   |   |   |   |    |    |    |    |    |    |       |    |    |
| 0505 | GASKET 1/4                | 569390      |      | • | • | • |   |   |   |   |   |   |    |    |    |    |    |    |       |    |    |
| 0508 | O-RING                    | 998424      |      | • | • |   |   |   |   |   |   |   |    |    |    |    |    |    |       |    |    |
| 0513 | FIXING CLIP (MOTOR)       | 997077      |      | • | • |   |   |   |   |   |   |   |    |    |    |    |    |    |       |    |    |
| 0514 | PIPE (C.H. FLOW)          | 65103399    |      |   |   |   |   |   |   | • |   |   |    |    |    |    |    |    |       |    |    |
| 0515 | PIPE (C.H. RETURN)        | 65103407    |      |   |   |   |   |   |   | • |   |   |    |    |    |    |    |    |       |    |    |
| 0519 | PLUG                      | 65102795    |      | • | • |   |   |   |   |   |   |   |    |    |    |    |    |    |       |    |    |
| 0520 | PUMP FIXING (KIT)         | 65103487    |      | • | • |   |   |   |   |   |   |   |    |    |    |    |    |    |       |    |    |
| 0521 | PLUG                      | 65103488    |      | • | • |   |   |   |   |   |   |   |    |    |    |    |    |    |       |    |    |
| 0527 | O-RING                    | 998517      |      | • | • |   |   |   |   |   |   |   |    |    |    |    |    |    |       |    |    |
| 0529 | PRESSURE GAUGE            | 65103370    |      | • | • |   |   |   |   |   |   |   |    |    |    |    |    |    |       |    |    |
| 0531 | AUTO AIR VENT + O-RING    | 995367      |      | • | • |   |   |   |   |   |   |   |    |    |    |    |    |    |       |    |    |
| 0533 | PIPE (C.H. RETURN)        | 65105434    |      | • | • |   |   |   |   |   |   |   |    |    |    |    |    |    |       |    |    |
| 0534 | U-CLIP                    | 65104704    |      | • | • |   |   |   |   |   |   |   |    |    |    |    |    |    |       |    |    |
| 0537 | SAFETY VALVE              | 65103222    |      | • | • | • |   |   |   |   |   |   |    |    |    |    |    |    |       |    |    |
| 0538 | PUMP                      | 65101417    |      | • | • |   |   |   |   |   |   |   |    |    |    |    |    |    |       |    |    |
| 0547 | CLIP                      | 65100680    |      | • | • |   |   |   |   |   |   |   |    |    |    |    |    |    |       |    |    |
| 0550 | MOTOR SUPPORT             | 65100770    |      | • | • |   |   |   |   |   |   |   |    |    |    |    |    |    |       |    |    |
| 0551 | O-RING                    | 990488      |      | • | • |   |   |   |   |   |   |   |    |    |    |    |    |    |       |    |    |
| 0552 | O-RING                    | 990489      |      | • | • |   |   |   |   |   |   |   |    |    |    |    |    |    |       |    |    |
| 0554 | ASSEMBLED SHUTTER         | 65105144    |      | • | • |   |   |   |   |   |   |   |    |    |    |    |    |    |       |    |    |
| 0556 | SPRING (DIVERter VALVE)   | 65101008    |      | • | • |   |   |   |   |   |   |   |    |    |    |    |    |    |       |    |    |
| 0558 | CLIP                      | 65102587    |      | • | • |   |   |   |   |   |   |   |    |    |    |    |    |    |       |    |    |
| 0563 | DRAIN VALVE               | 573727      |      | • | • |   |   |   |   |   |   |   |    |    |    |    |    |    |       |    |    |
| 0571 | LOW WATER PRESSURE SWITCH | 995903      |      | • | • | • |   |   |   |   |   |   |    |    |    |    |    |    |       |    |    |
| 0575 | CLIP                      | 61307589    |      | • | • | • |   |   |   |   |   |   |    |    |    |    |    |    |       |    |    |
| 0576 | TEMPERATURE PROBE + CLIP  | 990686      |      | • | • | • |   |   |   |   |   |   |    |    |    |    |    |    |       |    |    |
| 0594 | GASKET 3/4                | 573520      |      | • | • | • |   |   |   |   |   |   |    |    |    |    |    |    |       |    |    |
| 0595 | GASKET 3/8                | 573521      |      | • | • | • |   |   |   |   |   |   |    |    |    |    |    |    |       |    |    |
| 0597 | OVERHEAT THERMOSTAT       | 996065      |      | • | • | • |   |   |   |   |   |   |    |    |    |    |    |    |       |    |    |
| 0598 | CLIP                      | 61010050    |      | • | • | • |   |   |   |   |   |   |    |    |    |    |    |    |       |    |    |

PHOENIX GREEN

Domestic Gas Boilers

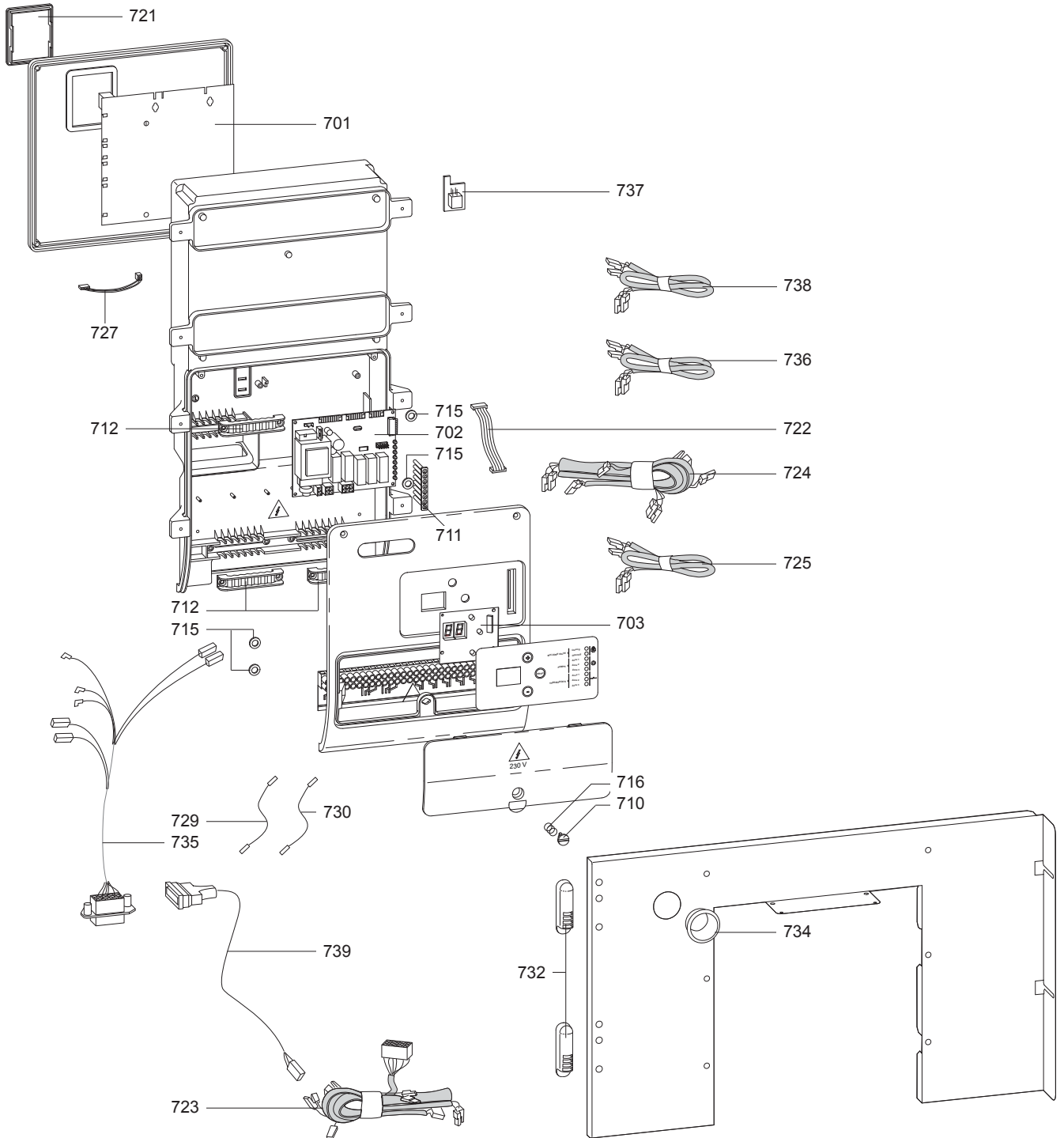




| ⊞    | Description                     | Manf. Pt. N | Type | 1 | 2 | 3 | 4 | 5 | 6 | 7 | 8 | 9 | 10 | 11 | 12 | 13 | 14 | 15 | 16 | 17 | 18 | 31 |
|------|---------------------------------|-------------|------|---|---|---|---|---|---|---|---|---|----|----|----|----|----|----|----|----|----|----|
| 0600 | ELECTRICAL BOX                  |             |      |   |   |   |   |   |   |   |   |   |    |    |    |    |    |    |    |    |    |    |
| 0602 | PRESSURE GAUGE                  | 65103370    |      | • | • |   |   |   |   |   |   |   |    |    |    |    |    |    |    |    |    |    |
| 0603 | FRONT PANEL COVER               | 65103369    |      |   |   | • |   |   |   |   |   |   |    |    |    |    |    |    |    |    |    |    |
| 0613 | CONTROL PANEL COVER             | 65103352    |      | • | • | • |   |   |   |   |   |   |    |    |    |    |    |    |    |    |    |    |
| 0614 | CONTROL PANEL                   | 65103480    |      | • | • | • |   |   |   |   |   |   |    |    |    |    |    |    |    |    |    |    |
| 0616 | PRINTED CIRCUIT BOARD (DISPLAY) | 65104732    |      | • | • | • |   |   |   |   |   |   |    |    |    |    |    |    |    |    |    |    |
| 0618 | PLUG                            | 65103392    |      |   |   | • |   |   |   |   |   |   |    |    |    |    |    |    |    |    |    |    |
| 0619 | DISPLAY WIRING                  | 65103340    |      | • | • | • |   |   |   |   |   |   |    |    |    |    |    |    |    |    |    |    |
| 0621 | PILOT LIGHT                     | 65103396    |      | • | • | • |   |   |   |   |   |   |    |    |    |    |    |    |    |    |    |    |
| 0625 | TIME CLOCK                      | 997207      |      | • | • | • |   |   |   |   |   |   |    |    |    |    |    |    |    |    |    |    |
| 0637 | FRONT COVER                     | 65103388    |      | • | • | • |   |   |   |   |   |   |    |    |    |    |    |    |    |    |    |    |
| 0650 | WHITE KNOB                      | 61312930    |      | • | • | • |   |   |   |   |   |   |    |    |    |    |    |    |    |    |    |    |
| 0655 | BLIND GROMMET                   | 569720      |      | • | • | • |   |   |   |   |   |   |    |    |    |    |    |    |    |    |    |    |
| 0660 | INSERT CASE                     | 65103489    |      | • | • | • |   |   |   |   |   |   |    |    |    |    |    |    |    |    |    |    |
| 0661 | INSERT CASE (TOP)               | 65103490    |      | • | • | • |   |   |   |   |   |   |    |    |    |    |    |    |    |    |    |    |
|      |                                 |             |      |   |   |   |   |   |   |   |   |   |    |    |    |    |    |    |    |    |    |    |
|      |                                 |             |      |   |   |   |   |   |   |   |   |   |    |    |    |    |    |    |    |    |    |    |

PHOENIX GREEN

Domestic Gas Boilers



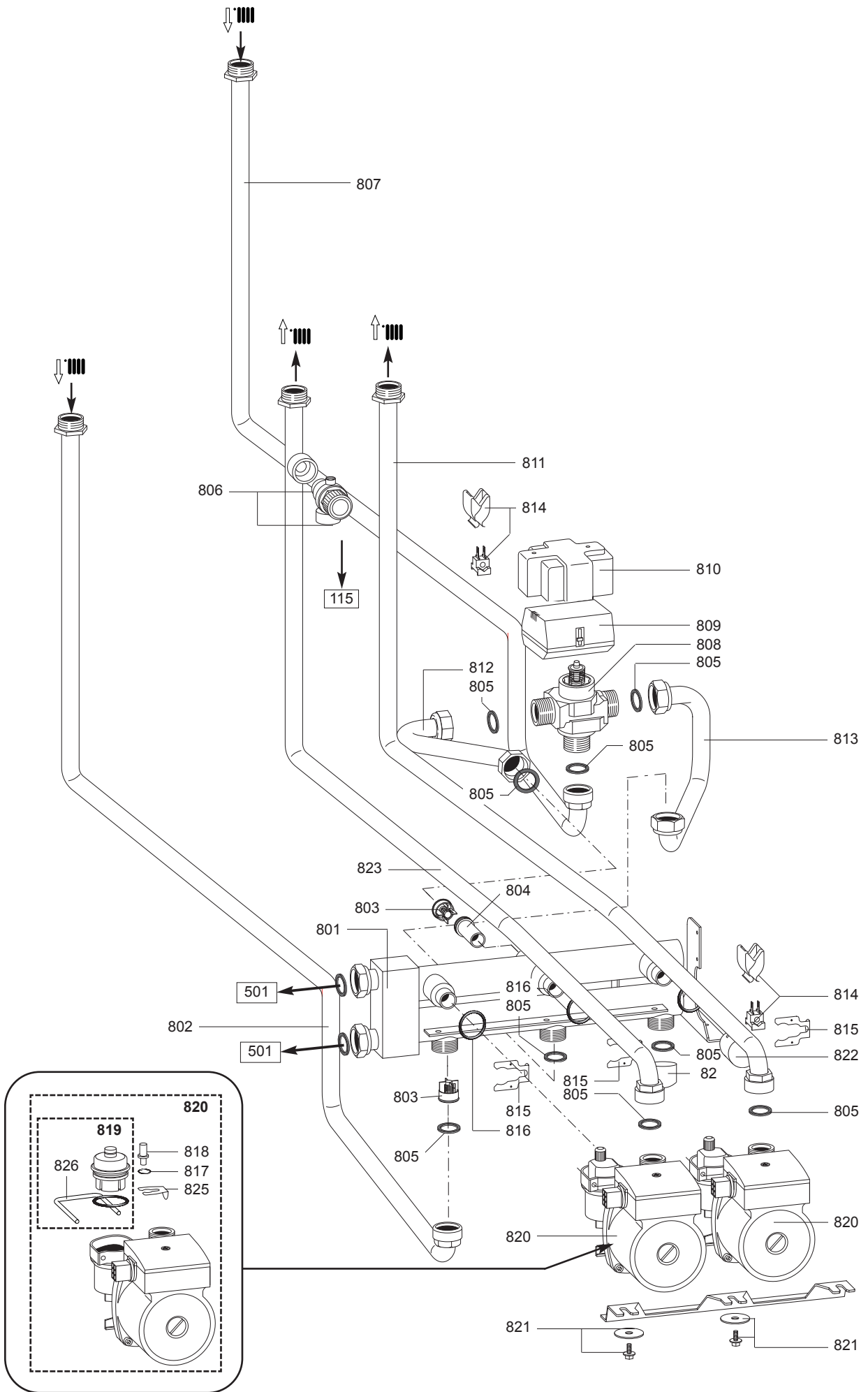
PHOENIX GREEN 27  
 PHOENIX GREEN 35  
 PHOENIX GREEN 40

31

| ☉⇒   | Description                       | Manf. Pt. N | Type |   |   |   |   |   |   |   |   |   |    |    |    |    |    |    |    |    |    |
|------|-----------------------------------|-------------|------|---|---|---|---|---|---|---|---|---|----|----|----|----|----|----|----|----|----|
|      |                                   |             |      | 1 | 2 | 3 | 4 | 5 | 6 | 7 | 8 | 9 | 10 | 11 | 12 | 13 | 14 | 15 | 16 | 17 | 18 |
| 0700 | <b>CONTROL CENTER</b>             |             |      |   |   |   |   |   |   |   |   |   |    |    |    |    |    |    |    |    |    |
| 0701 | P.C.B. (MAIN)                     | 65108515    |      | ● | ● | ● |   |   |   |   |   |   |    |    |    |    |    |    |    |    |    |
| 0702 | P.C.B (MIX)                       | 65108516    |      | ● | ● | ● |   |   |   |   |   |   |    |    |    |    |    |    |    |    |    |
| 0703 | DISPLAY PCB (MIX)                 | 65103387    |      | ● | ● | ● |   |   |   |   |   |   |    |    |    |    |    |    |    |    |    |
| 0710 | SCREW                             | 65103415    |      | ● | ● | ● |   |   |   |   |   |   |    |    |    |    |    |    |    |    |    |
| 0711 | PILOT LIGHT                       | 65103479    |      | ● | ● | ● |   |   |   |   |   |   |    |    |    |    |    |    |    |    |    |
| 0712 | CABLE CLAMP                       | 65103377    |      | ● | ● | ● |   |   |   |   |   |   |    |    |    |    |    |    |    |    |    |
| 0715 | NYLON BUSH (10MM)                 | 569711      |      | ● | ● | ● |   |   |   |   |   |   |    |    |    |    |    |    |    |    |    |
| 0716 | FIXING SPRING (FRONT COVER)       | 998739      |      | ● | ● | ● |   |   |   |   |   |   |    |    |    |    |    |    |    |    |    |
| 0721 | COVER                             | 997745      |      | ● | ● | ● |   |   |   |   |   |   |    |    |    |    |    |    |    |    |    |
| 0722 | DISPLAY WIRING                    | 65103341    |      | ● | ● | ● |   |   |   |   |   |   |    |    |    |    |    |    |    |    |    |
| 0723 | WIRING                            | 65103336    |      |   |   |   | ● |   |   |   |   |   |    |    |    |    |    |    |    |    |    |
|      | WIRING                            | 65103339    |      | ● | ● | ● |   |   |   |   |   |   |    |    |    |    |    |    |    |    |    |
| 0725 | HIGH VOLTAGE WIRING               | 65103342    |      | ● | ● | ● |   |   |   |   |   |   |    |    |    |    |    |    |    |    |    |
| 0726 | LOW VOLTAGE WIRING                | 65103335    |      |   |   |   | ● |   |   |   |   |   |    |    |    |    |    |    |    |    |    |
|      | LOW VOLTAGE WIRING                | 65103337    |      | ● | ● | ● |   |   |   |   |   |   |    |    |    |    |    |    |    |    |    |
| 0727 | LOW VOLTAGE WIRING                | 65103338    |      | ● | ● | ● |   |   |   |   |   |   |    |    |    |    |    |    |    |    |    |
| 0729 | CABLE (EARTH)                     | 65103393    |      | ● | ● | ● |   |   |   |   |   |   |    |    |    |    |    |    |    |    |    |
| 0730 | CABLE (EARTH)                     | 65103394    |      | ● | ● | ● |   |   |   |   |   |   |    |    |    |    |    |    |    |    |    |
| 0732 | HINGE                             | 65103346    |      | ● | ● | ● |   |   |   |   |   |   |    |    |    |    |    |    |    |    |    |
| 0734 | GASKET                            | 65103363    |      | ● | ● | ● |   |   |   |   |   |   |    |    |    |    |    |    |    |    |    |
| 0735 | CABLE (FAN/AIR PRESSURE SWITCH)   | 65103344    |      | ● | ● | ● |   |   |   |   |   |   |    |    |    |    |    |    |    |    |    |
| 0736 | CONNECTION CABLE (EXTERNAL PROBE) | 65105258    |      | ● | ● | ● |   |   |   |   |   |   |    |    |    |    |    |    |    |    |    |
| 0737 | MODULE KIT (EEPROM ACO-FSC)       | 65104727    |      | ● | ● | ● |   |   |   |   |   |   |    |    |    |    |    |    |    |    |    |
| 0738 | CABLE (CONNECTION)                | 65105259    |      | ● | ● | ● |   |   |   |   |   |   |    |    |    |    |    |    |    |    |    |
| 0739 | MOTOR CABLE ELBI                  | 65104540    |      | ● | ● | ● |   |   |   |   |   |   |    |    |    |    |    |    |    |    |    |

PHOENIX GREEN

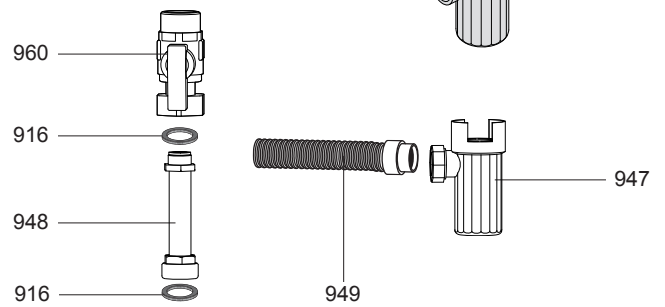
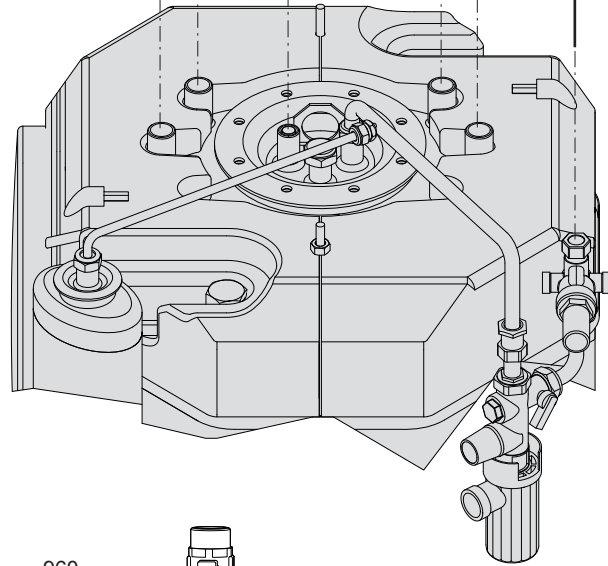
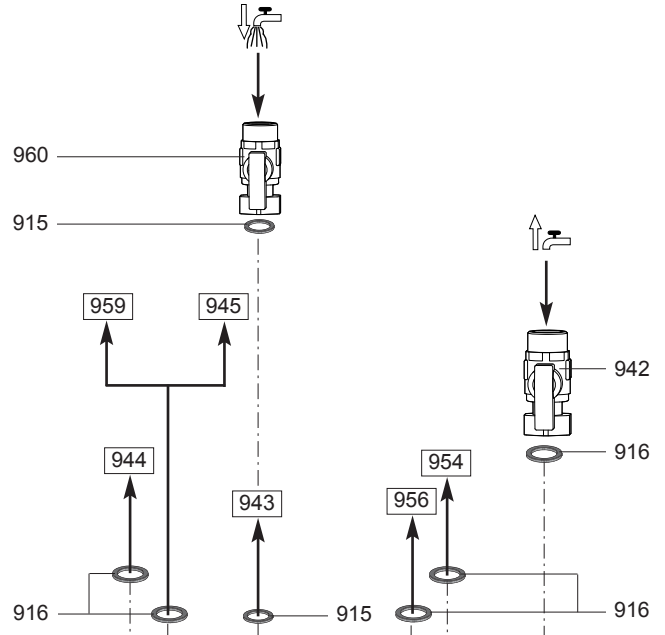
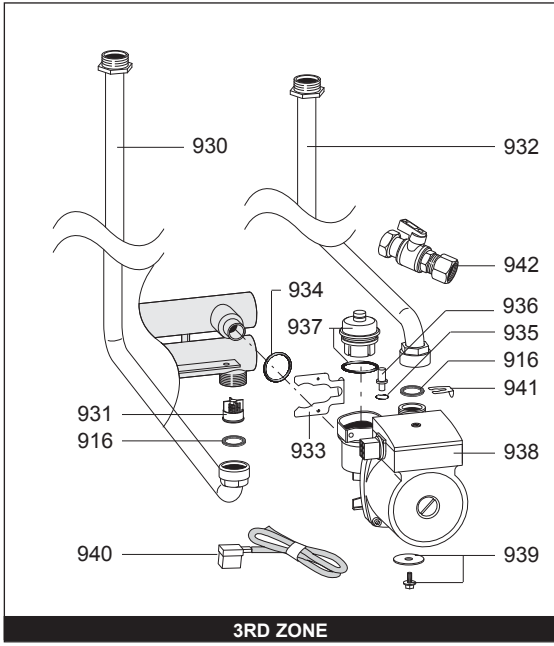
Domestic Gas Boilers



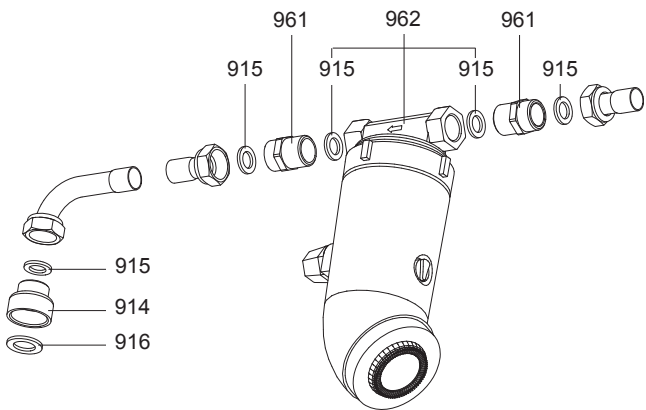
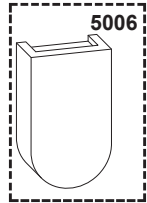
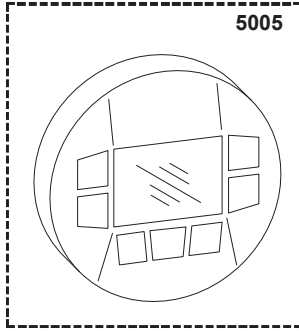
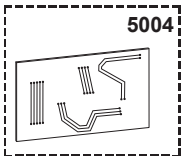
PHOENIX GREEN 27  
 PHOENIX GREEN 35  
 PHOENIX GREEN 40

31

| ☉⇒          | Description                      | Manf. Pt. N | Type |   |   |   |   |   |   |   |   |   |    |    |    |    |    |    |    |    |    |
|-------------|----------------------------------|-------------|------|---|---|---|---|---|---|---|---|---|----|----|----|----|----|----|----|----|----|
|             |                                  |             |      | 1 | 2 | 3 | 4 | 5 | 6 | 7 | 8 | 9 | 10 | 11 | 12 | 13 | 14 | 15 | 16 | 17 | 18 |
| <b>0800</b> | <b>HYDRAULIC COLLECTOR GROUP</b> |             |      |   |   |   |   |   |   |   |   |   |    |    |    |    |    |    |    |    |    |
| 0801        | HYDRAULIC SEPARATOR              | 65103350    |      | • | • |   |   |   |   |   |   |   |    |    |    |    |    |    |    |    |    |
| 0802        | PIPE (C.H. RETURN)               | 65103408    |      | • | • |   |   |   |   |   |   |   |    |    |    |    |    |    |    |    |    |
| 0803        | ONE-WAY VALVE                    | 65103412    |      | • | • |   |   |   |   |   |   |   |    |    |    |    |    |    |    |    |    |
| 0804        | PIPE                             | 65104734    |      | • | • |   |   |   |   |   |   |   |    |    |    |    |    |    |    |    |    |
| 0805        | GASKET 3/4                       | 573520      |      | • | • |   |   |   |   |   |   |   |    |    |    |    |    |    |    |    |    |
| 0806        | SAFETY VALVE                     | 65103222    |      | • | • |   |   |   |   |   |   |   |    |    |    |    |    |    |    |    |    |
| 0807        | PIPE (C.H. RETURN)               | 65103409    |      | • | • |   |   |   |   |   |   |   |    |    |    |    |    |    |    |    |    |
| 0808        | VALVE                            | 65103416    |      | • | • |   |   |   |   |   |   |   |    |    |    |    |    |    |    |    |    |
| 0809        | MOTOR (3-WAY VALVE)              | 65103417    |      | • | • |   |   |   |   |   |   |   |    |    |    |    |    |    |    |    |    |
| 0810        | COVER (MOTORISED VALVE)          | 572858      |      | • | • |   |   |   |   |   |   |   |    |    |    |    |    |    |    |    |    |
| 0811        | PIPE (C.H. FLOW)                 | 65105433    |      | • | • |   |   |   |   |   |   |   |    |    |    |    |    |    |    |    |    |
| 0812        | PIPE                             | 65103404    |      | • | • |   |   |   |   |   |   |   |    |    |    |    |    |    |    |    |    |
| 0813        | PIPE                             | 65103405    |      | • | • |   |   |   |   |   |   |   |    |    |    |    |    |    |    |    |    |
| 0814        | TEMPERATURE PROBE + CLIP         | 990686      |      | • | • |   |   |   |   |   |   |   |    |    |    |    |    |    |    |    |    |
| 0815        | CLIP                             | 65102587    |      | • | • |   |   |   |   |   |   |   |    |    |    |    |    |    |    |    |    |
| 0816        | O-RING                           | 998424      |      | • | • |   |   |   |   |   |   |   |    |    |    |    |    |    |    |    |    |
| 0817        | O-RING                           | 998517      |      | • | • |   |   |   |   |   |   |   |    |    |    |    |    |    |    |    |    |
| 0818        | PLUG                             | 65102795    |      | • | • |   |   |   |   |   |   |   |    |    |    |    |    |    |    |    |    |
| 0819        | AUTO AIR VENT + O-RING           | 995367      |      | • | • |   |   |   |   |   |   |   |    |    |    |    |    |    |    |    |    |
| 0820        | PUMP                             | 65101417    |      | • | • |   |   |   |   |   |   |   |    |    |    |    |    |    |    |    |    |
| 0821        | PUMP FIXING (KIT)                | 65103487    |      | • | • |   |   |   |   |   |   |   |    |    |    |    |    |    |    |    |    |
| 0822        | PLUG                             | 65103475    |      | • | • |   |   |   |   |   |   |   |    |    |    |    |    |    |    |    |    |
| 0823        | PIPE (C.H. FLOW)                 | 65105432    |      | • | • |   |   |   |   |   |   |   |    |    |    |    |    |    |    |    |    |
| 0824        | PLUG                             | 65103488    |      | • | • |   |   |   |   |   |   |   |    |    |    |    |    |    |    |    |    |
| 0825        | CLIP                             | 65100680    |      | • | • |   |   |   |   |   |   |   |    |    |    |    |    |    |    |    |    |
| 0826        | U-CLIP                           | 65104704    |      | • | • |   |   |   |   |   |   |   |    |    |    |    |    |    |    |    |    |



5000



PHOENIX GREEN 27  
 PHOENIX GREEN 35  
 PHOENIX GREEN 40

31

| ☉⇒          | Description                               | Manf. Pt. N | Type |   |   |   |   |   |   |   |   |   |    |    |    |    |    |    |    |    |    |
|-------------|---|-------------|------|---|---|---|---|---|---|---|---|---|----|----|----|----|----|----|----|----|----|
|             |   |             |      | 1 | 2 | 3 | 4 | 5 | 6 | 7 | 8 | 9 | 10 | 11 | 12 | 13 | 14 | 15 | 16 | 17 | 18 |
| <b>0900</b> | <b>ACCESSORIES</b>                        |             |      |   |   |   |   |   |   |   |   |   |    |    |    |    |    |    |    |    |    |
| 0905        | VALVE (1/2 )                              | 65100256    |      | • | • |   |   |   |   |   |   |   |    |    |    |    |    |    |    |    |    |
| 0914        | REDUCER                                   | 65102380    |      | • | • |   |   |   |   |   |   |   |    |    |    |    |    |    |    |    |    |
| 0915        | GASKET 1/2                                | 573528      |      | • | • |   |   |   |   |   |   |   |    |    |    |    |    |    |    |    |    |
| 0916        | GASKET 3/4                                | 573520      |      | • | • |   |   |   |   |   |   |   |    |    |    |    |    |    |    |    |    |
| 0917        | GASKET 3/8                                | 573521      |      | • | • |   |   |   |   |   |   |   |    |    |    |    |    |    |    |    |    |
| 0930        | PIPE (C.H. RETURN)                        | 65103408    |      | • | • |   |   |   |   |   |   |   |    |    |    |    |    |    |    |    |    |
| 0931        | ONE-WAY VALVE                             | 65103412    |      | • | • |   |   |   |   |   |   |   |    |    |    |    |    |    |    |    |    |
| 0932        | PIPE (C.H. FLOW)                          | 65105433    |      | • | • |   |   |   |   |   |   |   |    |    |    |    |    |    |    |    |    |
| 0933        | CLIP                                      | 65102587    |      | • | • |   |   |   |   |   |   |   |    |    |    |    |    |    |    |    |    |
| 0934        | O-RING                                    | 998424      |      | • | • |   |   |   |   |   |   |   |    |    |    |    |    |    |    |    |    |
| 0935        | O-RING                                    | 998517      |      | • | • |   |   |   |   |   |   |   |    |    |    |    |    |    |    |    |    |
| 0936        | PLUG                                      | 65102795    |      | • | • |   |   |   |   |   |   |   |    |    |    |    |    |    |    |    |    |
| 0938        | PUMP                                      | 65101417    |      | • | • |   |   |   |   |   |   |   |    |    |    |    |    |    |    |    |    |
| 0939        | PUMP FIXING (KIT)                         | 65103487    |      | • | • |   |   |   |   |   |   |   |    |    |    |    |    |    |    |    |    |
| 0940        | CABLE (PUMP)                              | 65104531    |      | • | • |   |   |   |   |   |   |   |    |    |    |    |    |    |    |    |    |
| 0941        | CLIP                                      | 65100680    |      | • | • |   |   |   |   |   |   |   |    |    |    |    |    |    |    |    |    |
| 0942        | VALVE (3/4 )                              | 65100255    |      | • | • |   |   |   |   |   |   |   |    |    |    |    |    |    |    |    |    |
| 0943        | PIPE (D.H.W. OUTLET/LEFT)                 | 65105287    |      | • | • |   |   |   |   |   |   |   |    |    |    |    |    |    |    |    |    |
|             | PIPE (D.H.W. OUTLET R.H.SIDE)             | 65105296    |      | • | • |   |   |   |   |   |   |   |    |    |    |    |    |    |    |    |    |
|             | PIPE (D.H.W. OUTLET) (COLUMN)             | 65105426    |      | • | • |   |   |   |   |   |   |   |    |    |    |    |    |    |    |    |    |
| 0944        | RETURN PIPE (RIGHT)                       | 65105286    |      | • | • |   |   |   |   |   |   |   |    |    |    |    |    |    |    |    |    |
|             | RETURN PIPE (R.H.SIDE)                    | 65105295    |      | • | • |   |   |   |   |   |   |   |    |    |    |    |    |    |    |    |    |
|             | RETURN PIPE (COLUMN)                      | 65105425    |      | • | • |   |   |   |   |   |   |   |    |    |    |    |    |    |    |    |    |
|             | RETURN PIPE (COLUMN + SOLAR)              | 65105428    |      | • | • |   |   |   |   |   |   |   |    |    |    |    |    |    |    |    |    |
| 0945        | DELIVERY PIPE                             | 65105285    |      | • | • |   |   |   |   |   |   |   |    |    |    |    |    |    |    |    |    |
|             | DELIVERY PIPE (R.H.SIDE)                  | 65105294    |      | • | • |   |   |   |   |   |   |   |    |    |    |    |    |    |    |    |    |
|             | DELIVERY PIPE (COLUMN)                    | 65105424    |      | • | • |   |   |   |   |   |   |   |    |    |    |    |    |    |    |    |    |
| 0947        | TRAP                                      | 65105284    |      | • | • |   |   |   |   |   |   |   |    |    |    |    |    |    |    |    |    |
| 0948        | GAS PIPE                                  | 65105289    |      | • | • |   |   |   |   |   |   |   |    |    |    |    |    |    |    |    |    |
| 0949        | DISCHARGE PIPE (CONDENSATE)               | 65105290    |      | • | • |   |   |   |   |   |   |   |    |    |    |    |    |    |    |    |    |
| 0952        | PIPE (COLD WATER INLET/ LEFT)             | 65105288    |      | • | • |   |   |   |   |   |   |   |    |    |    |    |    |    |    |    |    |
|             | PIPE (R.H.SIDE COLD WATER INLET)          | 65105297    |      | • | • |   |   |   |   |   |   |   |    |    |    |    |    |    |    |    |    |
|             | PIPE (COLD WATER INLET) (COLUMN)          | 65105427    |      | • | • |   |   |   |   |   |   |   |    |    |    |    |    |    |    |    |    |
| 0954        | DELIVERY PIPE (L.H.SIDE SOLAR PANEL)      | 65105314    |      | • | • |   |   |   |   |   |   |   |    |    |    |    |    |    |    |    |    |
|             | DELIVERY PIPE (R.H.SIDE/SOLAR PANEL)      | 65105317    |      | • | • |   |   |   |   |   |   |   |    |    |    |    |    |    |    |    |    |
|             | DELIVERY PIPE (COLUMN + SOLAR)            | 65105429    |      | • | • |   |   |   |   |   |   |   |    |    |    |    |    |    |    |    |    |
| 0956        | DELIVERY PIPE (L.H.SIDE/ TANK-SOLAR PAN.) | 65105315    |      | • | • |   |   |   |   |   |   |   |    |    |    |    |    |    |    |    |    |
|             | DELIVERY PIPE (R.H.SIDE/TANK-SOLAR PANEL) | 65105318    |      | • | • |   |   |   |   |   |   |   |    |    |    |    |    |    |    |    |    |
|             | DELIVERY PIPE (L.H.SIDE/TANK-SOLAR PAN.)  | 65105430    |      | • | • |   |   |   |   |   |   |   |    |    |    |    |    |    |    |    |    |
| 0959        | RETURN PIPE (L.H.SIDE/ TANK-SOLAR PAN.)   | 65105316    |      | • | • |   |   |   |   |   |   |   |    |    |    |    |    |    |    |    |    |
|             | RETURN PIPE (R.H.SIDE/TANK-SOLAR PANEL)   | 65105319    |      | • | • |   |   |   |   |   |   |   |    |    |    |    |    |    |    |    |    |
|             | RETURN PIPE (L.H.SIDE/ TANK-SOLAR PAN.)   | 65105431    |      | • | • |   |   |   |   |   |   |   |    |    |    |    |    |    |    |    |    |
| 0960        | GAS VALVE ASSY 3/4                        | 65100257    |      | • | • |   |   |   |   |   |   |   |    |    |    |    |    |    |    |    |    |
| 0961        | CONNECTION                                | 61012470    |      | • | • |   |   |   |   |   |   |   |    |    |    |    |    |    |    |    |    |
| 0962        | PUMP                                      | 65106151    |      | • | • |   |   |   |   |   |   |   |    |    |    |    |    |    |    |    |    |
| <b>5000</b> | <b>ACCESSORY</b>                          |             |      |   |   |   |   |   |   |   |   |   |    |    |    |    |    |    |    |    |    |
| 5001        | BURNER JET FULL KIT (LPG)                 | 65105265    |      | • | • | • |   |   |   |   |   |   |    |    |    |    |    |    |    |    |    |
| 5004        | REMOTE CONTROL INTERFACE                  | 996041      |      | • | • | • |   |   |   |   |   |   |    |    |    |    |    |    |    |    |    |
| 5006        | OUTSIDE HEAT SENSOR                       | 65109110    |      | • | • | • |   |   |   |   |   |   |    |    |    |    |    |    |    |    |    |

## LIST OF THE ABBREVIATIONS

|             |  |
|-------------|--|
| HW .....    | : Hot water.                                   |
| CW .....    | : Cold water.                                  |
| C .....     | : Ceramic resistance (normal heating).         |
| Ca .....    | : Ceramic resistance (accelerated heating)     |
| TP .....    | : Immersion heater.                            |
| 1F .....    | : With fittings.                               |
| 2F .....    | : Without fittings.                            |
| 3F .....    | : With fittings and another outlet connection. |
| AMI .....   | : With mixing valve.                           |
| SMI .....   | : Without mixing valve.                        |
| PUISS ..... | : Power of th appliance.                       |
| PN .....    | : Appliance with normal pression.              |
| LP .....    | : Appliance with low pression.                 |
| PV .....    | : Appliance with variable power.               |
| PF .....    | : Appliance with fixed power.                  |

## IDENTIFICATION PLATE

### SERIAL NUMBER

|  |                           |   |
|--|---------------------------|---|
| <b>10 Characters :</b>   | 04 05 125 011             | Sequential number<br>Manufacturing day<br>Year of manufacture                 |
| <b>11 Characters :</b>   | 1 95 065004 - 31          | Technical number of the appliance<br>Sequential number<br>Year of manufacture |
| Month of manufacture :<br>from 1 to 9 → Jan. to Sep.,<br>O → Oct., N → Nov.,<br>D → Dec. |                           |   |
| <b>19 Characters :</b>   | 08 05 0013199 900640031   | Product reference<br>Sequential number  |
| Year of manufacture<br>Month of manufacture  |                           |   |
| <b>20 Characters :</b>   | 3675007 XX 2 07 070 00315 | Sequential number<br>Manufacturing day<br>Year of manufacture                 |
| Product reference<br>Millenium of manufacture  |                           |   |
| <b>21 Characters :</b>   | 3675007 XX 07 070 0000315 | Sequential number<br>Manufacturing day  |
| Product reference<br>Year of manufacture   |                           |   |

The indications mentioned on the prices, commercial or technical literature and the scheme are written for your guidance and are available at a given time. The CONSTRUCTOR retains the power to modify the presentation, the form, the size, the conception or the material of the products.